

## ASR-24V013P 24V PROPORTIONAL CONTROL MRC ACTUATOR



The new Proportional Control Actuator adds the ability to allow the MRC Louver Air-Foils™ to be positioned between the fully opened and fully closed condition. This actuator retains the same fail-safe closure upon power loss as our other MRC actuators, but allows a separate 2-10VDC input signal to adjust the position of the MRC Louver Air-Foils™. In addition, an independent 2-10VDC output position signal is also integrated to allow use of a feedback or monitoring system.

The Actuator uses an extremely high torque brushless motor with very low current draw requirements and is maintenance-free. In the event of power or control signal loss, each actuator includes an integrated tool to allow it to be opened manually and locked in whatever position is required. Mechanical position indication is also provided. A non-metallic NEMA 4/IP66 junction box is provided for electrical connections to internal DIN rail screw terminals.

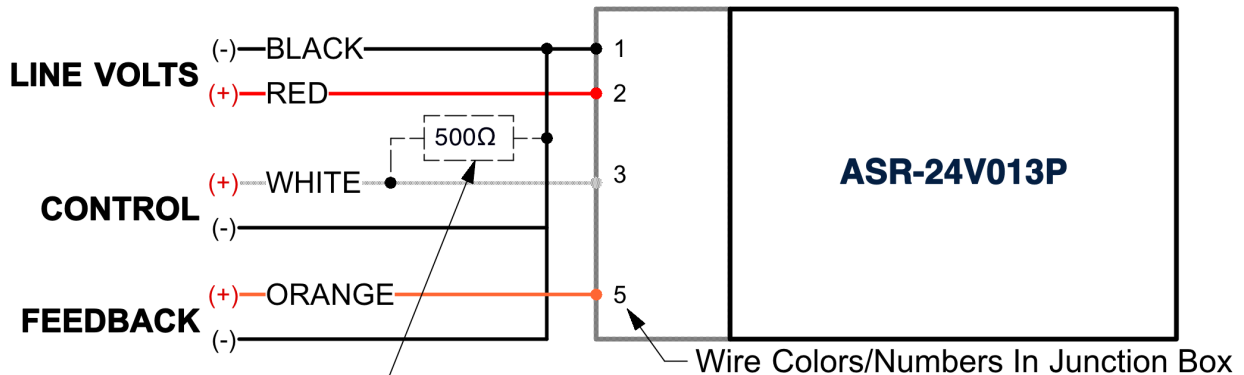
Exterior enclosure is anodized marine grade aluminum with stainless steel hardware. Internal MRC cable adjustments are simple and straightforward when the safety cover is removed during installation.



## ASR-24V013P 24V PROPORTIONAL CONTROL MRC ACTUATOR

### Technical Specifications

Power Supply (LINE VOLTS)	24VAC $\pm$ 20%, 50/60 HZ 24VDC +20% / -10%
Power Consumption	Running 5.5 W / Holding 3 W
Overload Protection	Electronic throughout rotation
Operating Range (CONTROL)	2-10VDC, 4-20mA
Input Impedence	100 k $\Omega$ for 2-10 VDC (0.1 mA) 500 $\Omega$ for 4-20mA
Feedback Output (FEEDBACK)	2-10VDC (max. 0.5mA)
Running Times	Spring Return <20 seconds Motor Open 95 seconds
Humidity	max. 95% non-condensing
Ambient Temperature	-22 $^{\circ}$ f to 122 $^{\circ}$ f [-30 $^{\circ}$ C to 50 $^{\circ}$ C]
Weight	$\pm$ 10 lb. [ $\pm$ 4.5 kg]



NOTE: THIS RESISTOR IS ONLY TO BE ADDED  
IF A 4-20mA CONTROL INPUT IS REQUIRED!

1

2

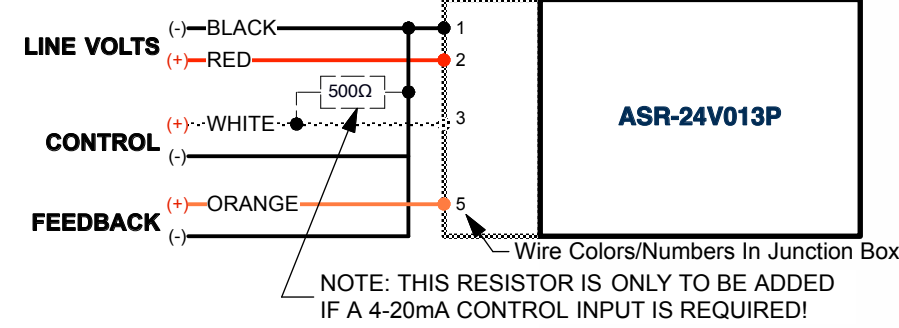
3

REVISION HISTORY

REV	DESCRIPTION	DATE	APPROVED
2	Add wiring schematic and update control voltage range-GNN	8/21/13	
3	Update Wiring Schematic Colors and Numbers	10/30/13	

General Notes

1. Cable Routing/Measuring - Measure the cable along the path it will take from the points where the cable hubs will be anchored. Follow the actual cable path as closely as possible, allowing for the largest practical bend radii. Absolute Minimum Radius is 3".



Minimum Radius 3" [77 mm]

ASR-24V013P Actuator  
 Requires Continuous (24VDC/VAC) Power To Hold MRC In The Open Position.  
 2-10VDC (4-20mA with 500 Ohm Resistor) Control Signal for Incremental Positioning.  
 2-10V Return Signal for Position Indication In Addition To Manual Indication.  
 MRC Will Close Upon Loss Of Power.

Remote Actuator Control Cable (Length TBD By Customer)

**PATENT PENDING**

**ZAZZ Engineering, Inc.**  
 7833 S.W. Ellipse Way  
 Stuart, Florida 33458-7247 USA  
 Phone: 561-594-0123 — Fax: 561-828-1340  
 www.zazzengineering.com

TITLE: **ASR-24V013P Installation Block Diagram For MRC Closure Actuator**

DRAWING - SHEET NUMBER	DRAWN BY	DATE
ASR-24V013P - 1/2	KMVW	8-9-13

SCALE: None FILE NAME: ASR-24V013P Block Diagram 1

1

2

3

A

A

B

B

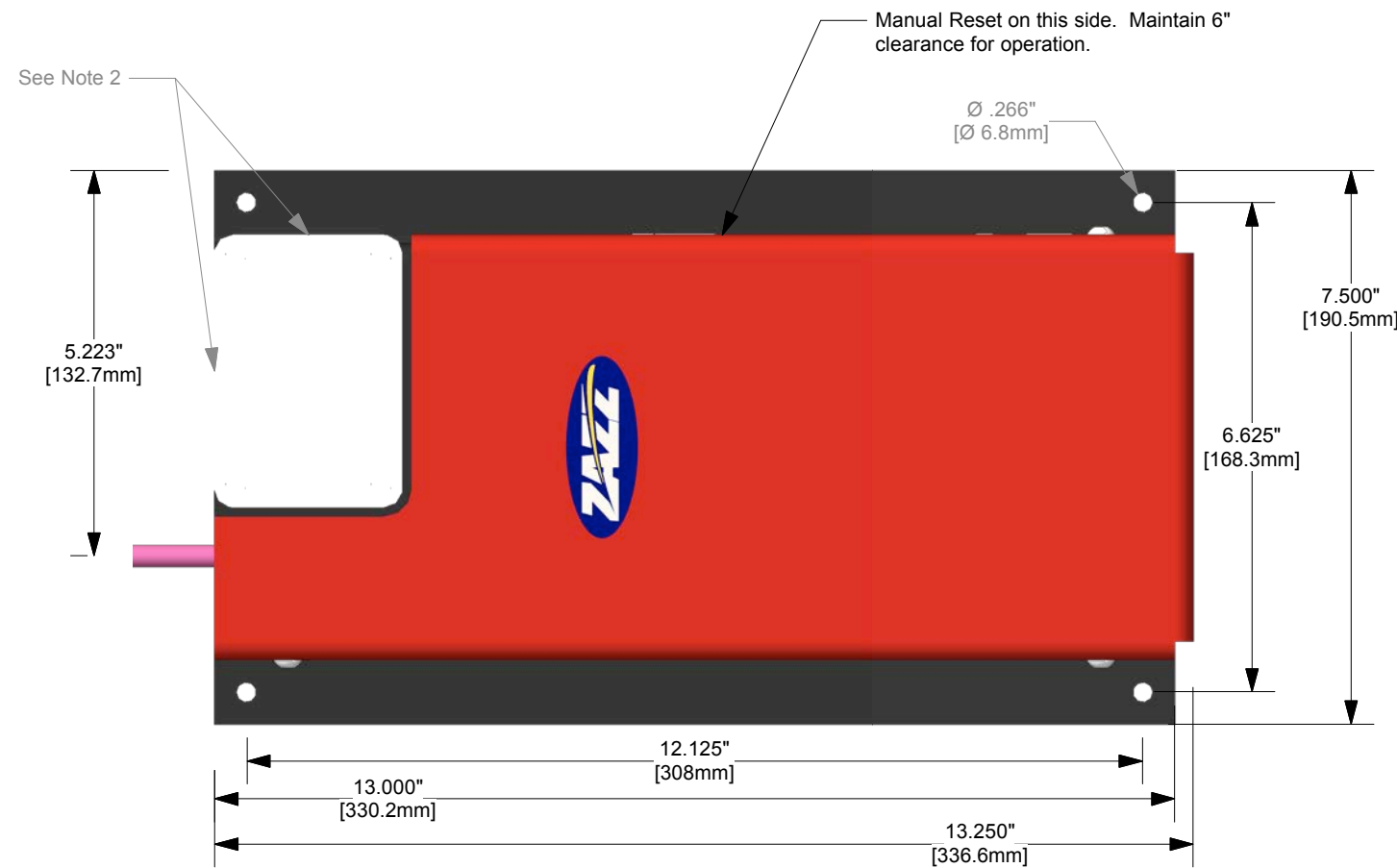
1

2

3

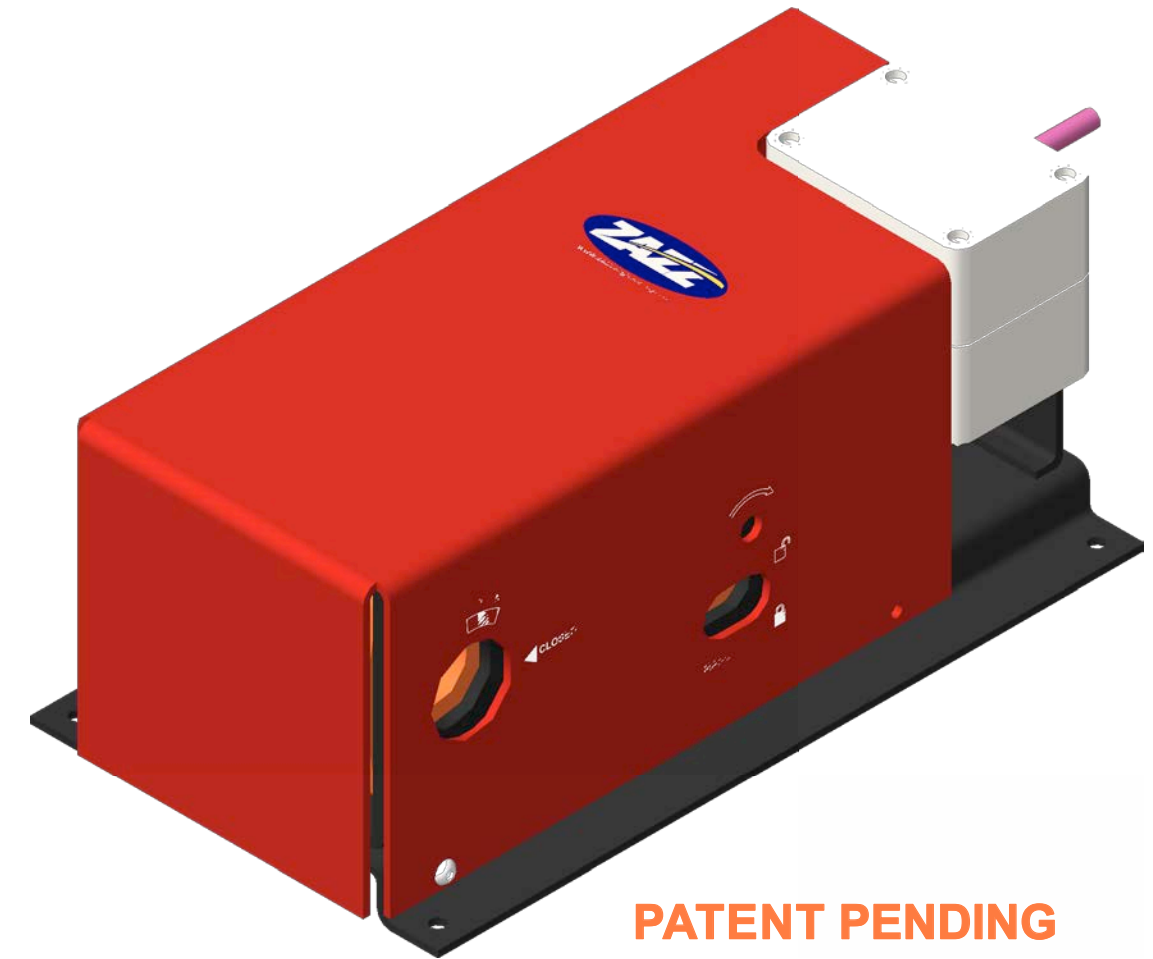
REVISION HISTORY

REV	DESCRIPTION	DATE	APPROVED
2	Add wiring schematic and update control voltage range-GNN	8/21/13	
3	Update Wiring Schematic Colors and Numbers	10/30/13	



General Notes

1. Primary Voltage - 24 VDC/VAC (.23 Amps)
2. Wiring Entry May Be Attached To Terminal Box At Location Shown (Typical Connection 1/2" EMT)

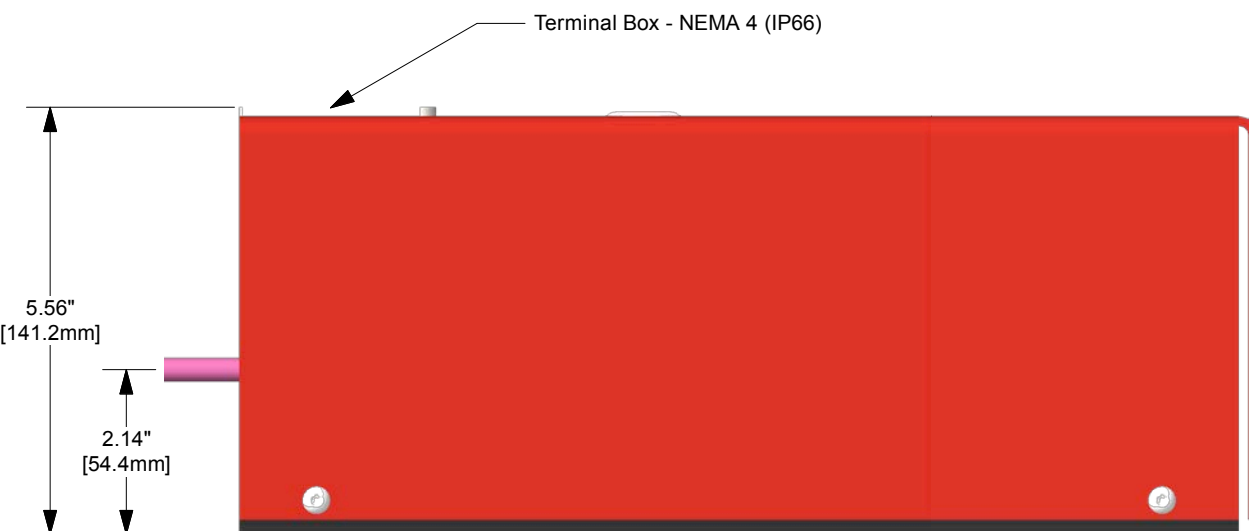


A

A

B

B



1

2

3

**ZAZZ Engineering, Inc.**  
 7833 S.W. Ellipse Way  
 Stuart, Florida 33458-7247 USA  
 Phone: 561-594-0123 — Fax: 561-828-1340  
 www.zazzengineering.com

**TITLE**  
 ASR-24V013P  
 MRC Closure Actuator Dimensions

DRAWING - SHEET NUMBER	DRAWN BY	DATE
ASR-24V013P - 2/2	KMVW	8-9-13

SCALE 1:2.5 FILE NAME ASR-24V013P Block Diagram 2